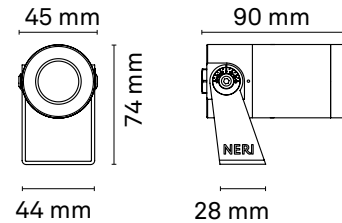


Kaus Projector | Luminaire | Kaus Projector S



Ordering Information / Guide

Example: **LUKAU00-N-D70-827-L003-ST-V1-F27-M2-CN0**

Optique	Ra+K	Luminous flux	Screen finish	Power supply	Driver Function	ISO Class	Finish
D70 Spot	827 Ra80 2700 K	L003 258 lm	ST Transparent	V5 24V	F52 PWM	M2 Class II	CN0 Grey [Neri] Textured
D71 Flood	830 Ra80 3000 K			V1 220V-240V	F27 ON/OFF+CLO	M3 Class III	
D72 Medium wide flood	840 Ra80 4000 K						

Generated code: **LUKAU00 - N** - _ _ _ _ _

CONFIGURATION NOTES

The product features shown in this datasheet cannot always be freely combined.

To verify the configurations actually available and define the corresponding product code, please use the configurator available on our website.

Kaus Projector | Luminaire | Kaus Projector S

SOURCE

High-power LED matrix.

Energy-efficiency class	E
LED forward current	123 mA
Power rating	4.4 W
Nominal Flux	258 lm
Nominal CCT (Colour temperature)	2700 K / 3000 K / 4000 K
Color Rendering Index (Ra)	80
Standard Deviation Colour Matching	≤3
ANSI/IES TM-30	Rf = 84 Rg = 97

LIGHTING CHARACTERISTICS

TIR lens in PMMA.

LED quantity	1
---------------------	---

ELECTRICAL CHARACTERISTICS

Luminaire power	5.2 W
Power supply	220V-240V~ 50/60Hz / 24V
Insulation class	Class II / Class III

MECHANICAL CHARACTERISTICS

Structure composed of a die-cast aluminum base and body (UNI EN 1706), with a transparent tempered flat glass protective screen, IK08 impact resistant (EN 62262).
±90° tilt adjustment system with 30° steps.
Gasket with closure via shaped tool and high thermal conductivity aluminum PCB (≥ 2.0 W/mK).
Stainless steel screws; fixing plugs not included.
Weight 1 kg

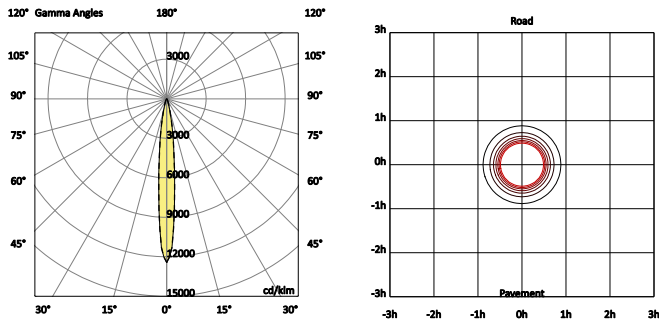
INSTALLATION

Installation via anchors fastening (not included).
Adjustable ±90° with 30° steps.

Kaus Projector | Luminaire | Kaus Projector S

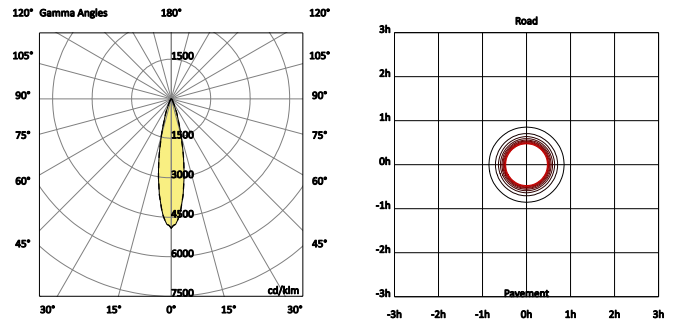
Optic: Spot

Screen finish: Transparent



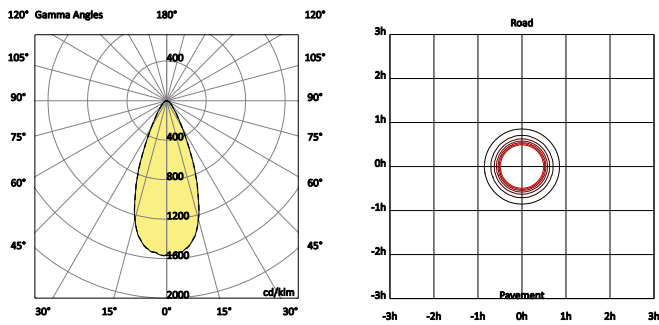
Optic: Flood

Screen finish: Transparent



Optic: Medium wide flood

Screen finish: Transparent



Kaus Projector | Luminaire | Kaus Projector S

Optic: Spot

Screen finish: Transparent

System					Source			IPEA				
Luminous Flux	Nominal CCT	W	lm/W	n° led	mA	W	lm/W	Road	Urban	Ped	Park	Art
258 lm	2700 K	5.2	50	1	123	4.4	59	E	D	E	E	D
258 lm	3000 K	5.2	50	1	123	4.4	59	E	D	E	E	D
258 lm	4000 K	5.2	50	1	123	4.4	59	E	D	E	E	D

Optic: Flood

Screen finish: Transparent

System					Source			IPEA				
Luminous Flux	Nominal CCT	W	lm/W	n° led	mA	W	lm/W	Road	Urban	Ped	Park	Art
258 lm	2700 K	5.2	50	1	123	4.4	59	E	D	E	E	D
258 lm	3000 K	5.2	50	1	123	4.4	59	E	D	E	E	D
258 lm	4000 K	5.2	50	1	123	4.4	59	E	D	E	E	D

Optic: Medium wide flood

Screen finish: Transparent

System					Source			IPEA				
Luminous Flux	Nominal CCT	W	lm/W	n° led	mA	W	lm/W	Road	Urban	Ped	Park	Art
258 lm	2700 K	5.2	50	1	123	4.4	59	E	D	E	E	D
258 lm	3000 K	5.2	50	1	123	4.4	59	E	D	E	E	D
258 lm	4000 K	5.2	50	1	123	4.4	59	E	D	E	E	D